



Betjeningsvejledning DA/NO (7-32)

Bedienungsanleitung DE (33-59)

User Manual EN (60-85)

Eldningsinstruktion SE (86-110)



## Aduro Hybrid series

H1, H2, H3 LUX, H4 LUX & H5

EN13240 – EN14785 – NS3058 – Ecodesign

[aduro.dk](http://aduro.dk) / [adurofire.com](http://adurofire.com)

Latest revision: 29.10.2024

## Congratulations on your new Aduro Hybrid stove!

To get the best possible experience and benefit from your new Aduro Hybrid stove, it is important that you read the user manual thoroughly before you install your stove and start using it. Errors or incorrect settings can cause hazardous conditions and/or poor operation.

For further information, please go to [www.adurofire.com](http://www.adurofire.com).

### Production number

The wood stove has a production number on the rating plate on the back of the stove. For most of our stoves, the production number is also stamped on the front page of the quick guide that is enclosed with the stove. For the purposes of the guarantee and for other enquiries, it is important that you are able to quote this number.

#### HOW TO SUCCEED WITH YOUR NEW HYBRID STOVE

In [Aduro's Customer Service Center](#) you will find tips and tricks on how to succeed with your new Aduro hybrid stove. Here you will have direct access to interesting content about maintenance of your stove as well as support related information.



## 1. General

### 1.1 Compliance

All Aduro Hybrid stoves comply with the European Directive Ecodesign, the EN13240 and EN14785 European standards as well as the NS3058 Norwegian standard and is thereby approved for installation and use in Europe. At the same time, the manufacturing process is subject to external quality control. DoC (Declaration of Conformity) can be downloaded at [www.adurofire.com/download](http://www.adurofire.com/download).

All Aduro Hybrid stoves adhere to the following directives: EMC DIRECTIVE 2014 30 EU, LVD DIRECTIVE 2014 35 EU, 2006 42 Machinery Directive. The Wi-Fi module has been approved according to CMIIT ID: 2016DP3252.

### 1.2 Warnings and safety precautions

- The lid to the pellet container must always be closed when the hybrid stove is in use (both with wood and pellets).
- When using wood logs in periods without electrical power you must always look after the stove, as security sensors are not active.

- The hybrid stove must be placed in a dry place and must not be exposed to moisture.
- Disconnect the stove from the power supply before performing any maintenance (except for the quick cleaning of the brazier).
- Improper use or poor maintenance of the product can cause hazardous situations.
- Do not place flammable materials on the stove to dry. Pay attention to the distance to flammable material, cf. section 2.1.
- The mandatory service visits are crucial for the function and safety of the hybrid stove. The service visits must be carried out by an authorized Aduro service technician - otherwise the warranty will be void.
- Do not operate the product if the glass is broken.
- Turn the product off in the event of a fault.
- If you get the alarm "dropshaft hot" or "external auger output defect", do not use the stove - not even with firewood - until the fault has been rectified, as this may damage the stove. Using the stove anyway can lead to a very costly repair of the stove.
- The doors on the hybrid stove must remain closed when the stove is not in use.
- Use only approved wood pellets in the pellet container which comply with the European standards in size Ø6 mm with a maximum length of 30 mm. See section 4.4.2. It is forbidden to use any liquid fuels and bioethanol fluids for igniting the wood or pellets.
- The hybrid stove must be connected to earth via the power cord.
- In the event of fire in the chimney, turn off the device, disconnect it from the main electricity, close the air inlets and do not open the door and then contact authorities for help.
- This stove can be used by children aged 15 years and above. Children must not play with the stove. Children without supervision shall not carry out cleaning and maintenance.
- Persons with reduced physical, sensory, or mental capabilities or lack of experience and knowledge can use the stove if they have been given supervision or instruction concerning use of the stove in a safe way and understand the hazards involved.
- The surfaces on the hybrid stove can get very hot (door, handle, glass, smoke outlet pipes, etc.). Avoid therefore direct contact with these parts, without adequate protective clothing or suitable tools, such as gloves with thermal protection.
- Accumulated and unburned pellets in the brazier after "ignition failed" or other alarms must be removed before a new ignition. Check that the brazier is clean and positioned right before lighting again.
- We recommend that you install a smoke detector in the room where the hybrid stove is installed.
- If the smoke temperature exceeds 350 degrees, it can damage the gear motor.
- It is recommended to let the stove burn empty for pellets and to clean it before a stationary period longer than 2 weeks – especially if the humidity in the house is high.

Aduro A/S declines all responsibility for any direct or indirect damages to persons, animals, or objects due to non-compliance with the provisions in this user guide, especially warnings regarding installation, use, and maintenance of the stove.

The responsibility for improper use of the product is entirely borne by the user and relieves the manufacturer from any civil and criminal liability. Tampering or unauthorized replacement with non-original spare parts could be hazardous for the operator's safety and relieves the company from any civil and criminal liability.

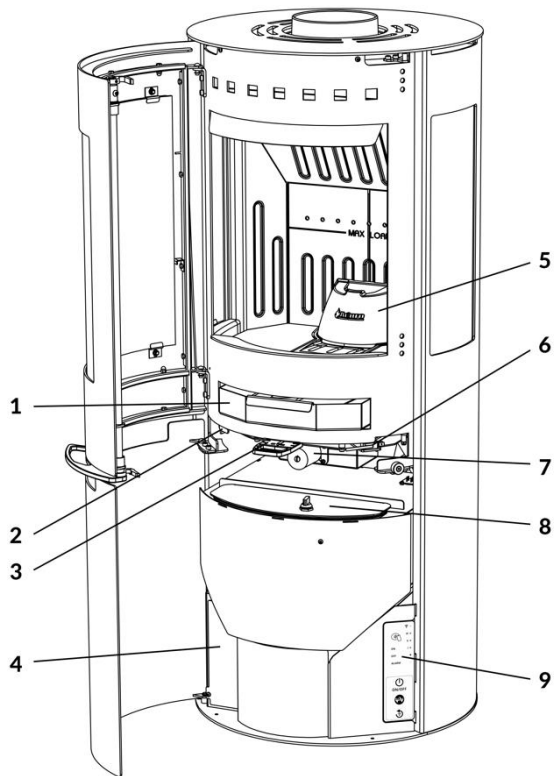
### 1.3 Technical data

Dimensions in cm:	Aduro H1	Aduro H2	Aduro H3 Lux	Aduro H4 Lux	Aduro H5
Flue outlet, diameter	Ø15 top/rear				
Outer dimensions (HxWxD)	120 x 50 x 50.8	120 x 50 x 50.8	120 x 50 x 50.8	120 x 50 x 50.8	116,7 x 50,3 x 50.6
Height exhaust branch above floor*	117,8	117,8	117,8	117,8	114.7
Distance from floor to centre of rear outlet*	108.2	108.2	108.2	108.2	104.1
Distance from centre of exhaust branch to rear edge of stove*	25	25	25	25	25.3
Fresh air supply	Ø7.8 external	Ø7.8 external	Ø7.8 external	Ø7.8 external	-
Weight	135 kg	135 kg	135 kg	135 kg	132 kg
Fuel	Wood and pellets Ø6 mm, max length 30 mm. Pellets in ENplus A1 quality.				
Pellet container capacity	Approx. 13 kg				
Max wood length	39	39	39	39	37
Maximum combustion amount per hour: - Wood - Auger performance: pellets per hour	Approx. 3.1 kg Approx. 1.5 kg				
Electrical connection	230V / 50Hz				
Power consumption in operation	18-33 Watt				
Nominal power	7.0 kW wood / 6.8 kW pellets				
SEER	82%				
Heats	20-140 m <sup>2</sup> / 2-9 kW. Wood 3-9 kW / Pellets 2-7 kW				
Energy efficiency by nominal power	>81% wood / >87% pellets	>81% wood / >87% pellets	>81% wood / >87% pellets	>81% wood / >87% pellets	>83% wood / >87% pellets
Energy efficiency index	122,3	122,3	122,3	122,3	128,1
Energy efficiency class	A+				
Material	Sheet iron				
Convection stove	✓				
Air-wash system	✓				
Ashpan	✓				
Primary, secondary, and tertiary air supply	✓				
Ceramic igniter	✓				
Chimney draft	According to EN13240 and EN14785. 10-14 Pa with a cold stove.				
Heat rating in buildings with - Optimum insulation - Average insulation - Inadequate insulation	150 m <sup>2</sup> 100 m <sup>2</sup> 60 m <sup>2</sup>				

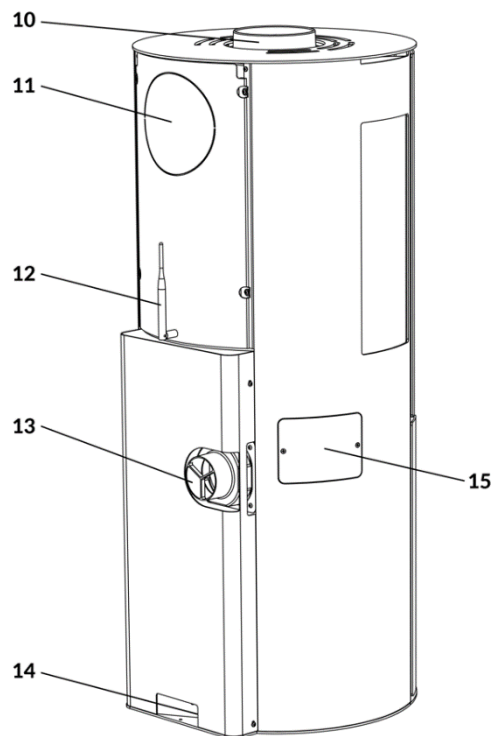
\*See illustrations on [adurofire.com](http://adurofire.com)

## 1.4 Basic features of the hybrid stove

---



- 1: Ashpan
- 2: Damper for firing with pellets
- 3: Damper for firing with wood
- 4: Opening for control board (incl. Wi-Fi board)
- 5: Cast iron brazier
- 6: Door switch
- 7: Aduro-tronic
- 8: Pellet container lid
- 9: Control panel



- 10: Top smoke outlet
- 11: Back smoke outlet
- 12: Wi-Fi antenna
- 13: External air inlet
- 14: Power plug
- 15: Igniter service opening

## 1.5 Transportation

When taking your Aduro H1 & H3 LUX home, please ensure that it travels in an upright position. The packaging must be disposed according to national rules regarding disposal of waste.

## 2. Installation of the stove

You are welcome to install your hybrid stove yourself – but we strongly recommend that you consult your chimney sweep before you begin the installation. It is important to ensure that all local rules and regulations, including ones relating to national and European standards, are complied with when installing this device. Your dealer can also provide you with installation advice. Remember, it is your responsibility that rules in force are complied with.

We do not recommend connection to a concentric chimney.

**APPLIES TO UK INSTALLATION ONLY:** To comply with UK building regulations an approved CO monitor should be installed in the same room as the appliance.



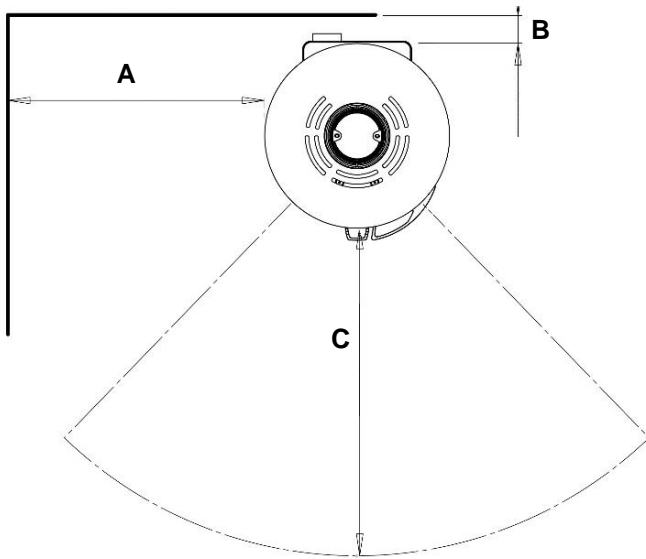
**You may not begin to use the hybrid stove until it has been inspected and approved by your local chimney sweep.**

### 2.1 Position of the stove and distance requirements

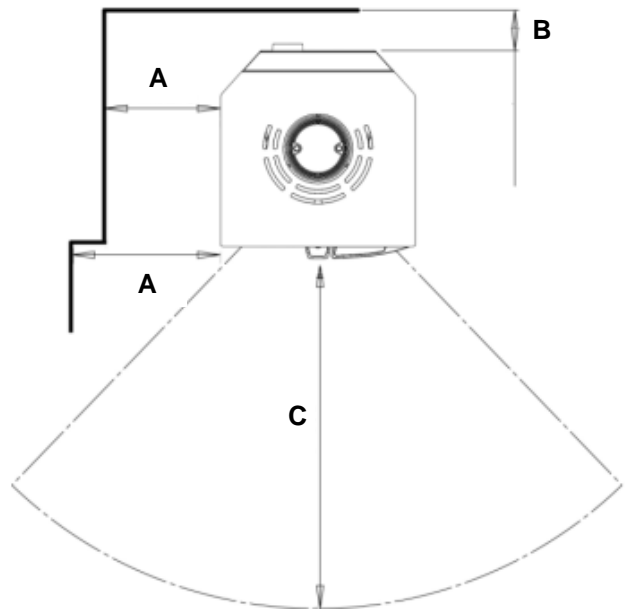
If the stove is placed near combustible material, specific distance requirements apply. See table and illustrations below:

Distance to flammable material (cm)	To the side (A)	Behind the stove (B)	To furniture (C)	For corner installation (D)
Aduro H1	70	7.5	100	-
Aduro H2	10 / 40	7.5	100	10
Aduro H3 Lux	70	7.5	100	-
Aduro H4 Lux	10 / 40	7.5	100	10
Aduro H5	27.5 / 37.5	7 cm behind the stove (5 cm from air intake)	100	-

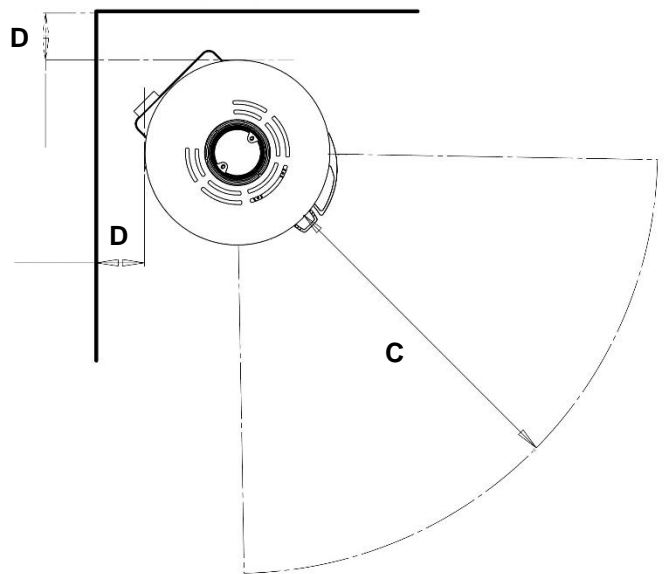
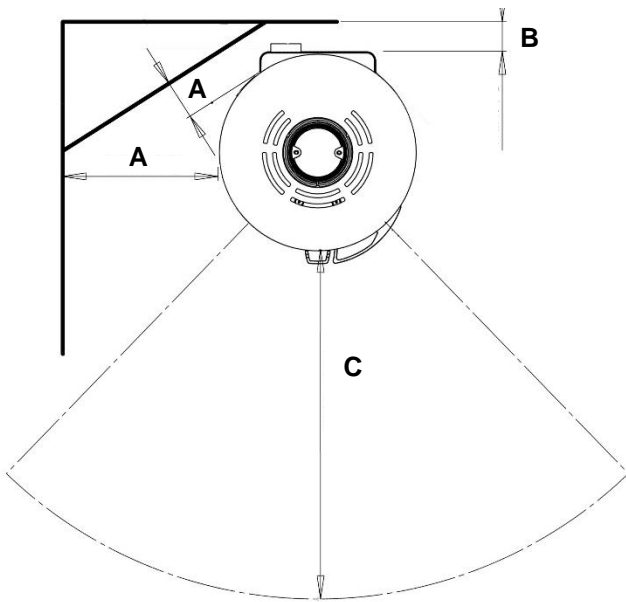
**Aduro H1 & H3 Lux**



**Aduro H5**



**Aduro H2 & H4 Lux**



To secure access to inspection openings and enough air for the combustion, there needs to be a distance of at least 7.5 cm to the wall behind and 60 cm to the side. However, to ensure easy access during service and cleaning, we recommend keeping a distance of min. 10 cm to the wall. You must be prepared to dismount the flue pipe and turn the stove during the yearly inspection and by maintenance.

If the hybrid stove is to be placed on a flammable material such as a wooden floor or carpet, it must be placed on a non-flammable floor hearth. The floor hearth should extend for at least 30 cm in front of the stove and 15 cm on each side measured from the opening of the combustion chamber.



**The hybrid stove must be installed on a floor with the adequate load-bearing capacity. If the existing construction does not meet this requirement, appropriate adaptation measures must be taken (e.g., a load-distributing plate).**

## 2.2 Pipe connection

---

Please ensure that all local rules and regulations are complied with, including CE marking of the flue pipe. Additionally, distance requirements to flammable material for the pipe must be respected.

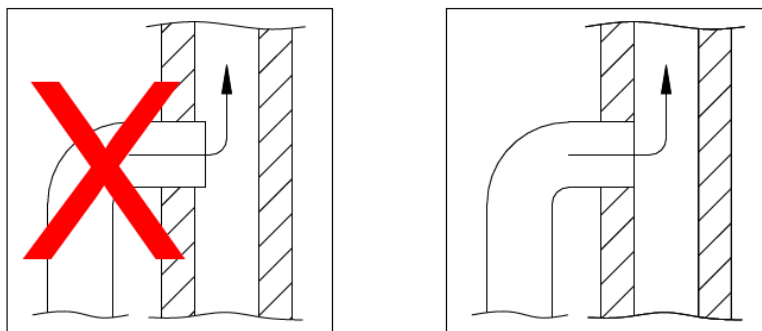
All Aduro hybrid stoves use a flue pipe with an internal diameter of 150 mm. Aduro Hybrid stoves are tested and approved for use with an uninsulated flue pipe of minimum 100 cm.

The stove leaves the factory with the flue outlet mounted on the top. If you require the flue outlet on the back, break off the cover plates positioned at the top of the back of the stove. Exchange the exhaust connector (from the top outlet) with the cover plate from the rear outlet. Mount the cover plate from the rear outlet to the top outlet. The top outlet is finished with the plate that lies in the ashpan. We recommend putting a slim gasket between the flue on the stove and the flue pipe.

## 2.3 Connection to a brick chimney

---

If the stove is being connected to a brick chimney you should use the rear outlet or a curved flue pipe via the top outlet. After measuring, a hole is made in the chimney in which the pipe sleeve is placed, and stove mortar is used to seal it in place. The stove is placed in position, and the flue pipe is put in place. A thin gasket is placed between the flue pipe and the pipe sleeve to seal the joints. The flue pipe should protrude into the pipe sleeve but must not block the opening in the chimney (see the illustration below). We recommend putting a slim gasket between the flue on the stove and the flue pipe.

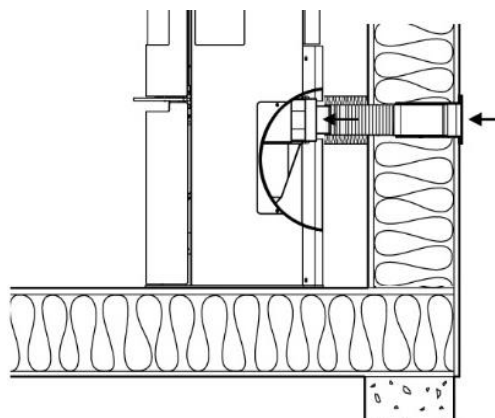


The hybrid stove can be connected to a chimney to which other heat sources are connected.

## 2.4 External air supply

---

All wood burning stoves need constant supply of air to ensure a clean and efficient combustion. This is often a problem in modern energy-efficient houses that are very tight. Therefore, all Aduro hybrid stoves are equipped with external air supply, where the air for the combustion is supplied from the outside and directly into the stove. The external air duct is connected to the connecting pipe at the back of the stove (see illustration). The amount of air needed for combustion is 25 m<sup>3</sup>/h. Air vents must be positioned where they cannot be blocked.



The stove's connecting pipe for external air supply has an external diameter of 78 mm, to which you need a pipe with a diameter of 80 mm. If the pipework is longer than 100 cm, or if the pipe bends, the resistance in the pipe increases significantly. Negative pressure outside on the sheltered side of the house can also affect the resistance of the pipe significantly. In these situations, the pipe should have a diameter of minimum 100 mm. It may also require a stronger chimney draft, which you can achieve by installing a stronger fan (Aduro Air Booster) or even better: an [Aduro DraftOptimizer](#).

You can easily test the resistance in the pipe by opening a window close to the stove, disconnect the external air supply and then light up the stove. If the combustion looks different than before, there is too much resistance in the external air supply. If the pipework is further than 1 m the pipe diameter must be increased to 100 mm and a correspondingly larger wall valve must be chosen. In warm rooms the channel should be insulated with 30 mm mineral wool covered with a damp-proof course (plastic). It is important that the lead-in between the pipe and the wall (or floor) is sealed with jointing compound. You can for instance use the complete [Aduro fresh air kit](#).

### Using the stove without external air supply

In very well-insulated houses, or houses with powerful cooker hoods and/or air conditioning systems, a vacuum can be created around the hybrid stove, leading to smoke leakage and poor combustion. In these circumstances, it might be necessary to open a window to provide air for the combustion and to equalize the vacuum. Alternatively, you could place an air vent in the room where the stove is placed.

## 2.5 Electrical connection

---

The hybrid stove comes with approx. 1.5 meter of cable with a Europlug, that should be connected to a 230V / 50Hz outlet. Power consumption during operation is approx. 33 watts. The cord must be positioned so it is not in contact with hot surfaces or pointed objects.

# 3. Operating the hybrid stove

You can operate the hybrid stove in three ways:

1. Through the control panel on the stove.
2. Through the app Aduro Hybrid and the Wi-Fi module "Aduro" in the near of the stove

- Through the app Aduro Hybrid when the Wi-Fi module is connected to the router and connected to Aduro Cloud. When your stove is connected to Aduro Cloud, it can be controlled remotely.

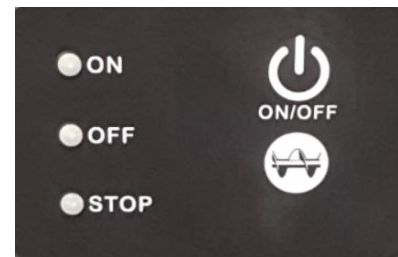
### 3.1 Control panel on the stove

The stove has a control panel which you can use to operate the stove manually. Depending on when your stove was produced, the control panel will differ:

#### Small control panel:

The buttons and LED lights have the following functions:

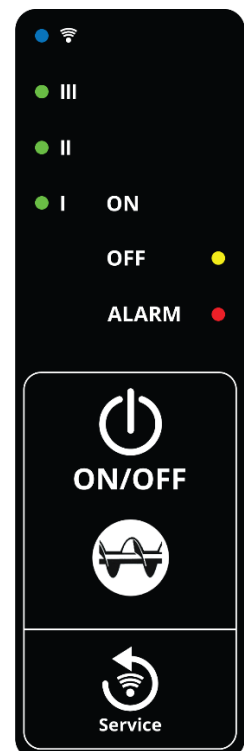
- ON/OFF button: Press the button to turn the stove on and off. Hold the button to reset an alarm.
- Auger button: Press the button to change heat level while the stove is in operation. Hold the button to manually feed pellets when the stove is not in operation.
- LED light ON: The stove is in operation.
- LED light OFF: The stove is in standby.
- LED light STOP: The door is open, or the stove has an alarm (the alarm will be displayed in the hybrid app).



#### Large control panel:

The buttons and LED lights have the following functions:

- Wi-Fi symbol lights blue: Wi-Fi is connected to router.
- III lights green: Stove is working on heat level 3.
- II lights green: Stove is working on heat level 2.
- I lights green: Stove is working on heat level 1.
- OFF lights yellow: Stove is turned off (standby).
- ALARM lights red: The stove has an alarm (the alarm will be displayed in the hybrid app), or the door is open.
- ON/OFF button: Press the button to turn the stove on and off. Hold the button to reset an alarm (the alarm will be displayed in the hybrid app).
- Auger button: Press the button to change heat level. Hold the button to manually feed pellets when the stove is not in operation.
- Service button: With this button, you can reset the wi-fi settings. Slowly press the button 3 times (1 second between touch). All LED lights will turn on. When the LED lights turn off, wi-fi settings has been reset.



The settings set on the display will also be aligned in the Aduro Hybrid app.

## 3.2 Aduro Hybrid app

---

The app Aduro Hybrid is free and can be downloaded from App Store or Google Play. The app is compatible with iOS 12 or later versions and Android versions from 5.0 and newer. Look for this app icon in your app store:



Developments within telephones and electronics continuously provide new opportunities and continually require updates and development of the app. When you buy an Aduro hybrid stove, app and control updates are included for 5 years after purchase.

### 3.2.1 Configuration of the app

---

1. Connect the stove to power outlet (see section 2.5).
2. Download the Aduro Hybrid app from either Google Play (Android) or App Store (Apple).
3. Follow the instructions of the guide in the app or find the extended guide in our [Customer Service Center](#).
4. The serial number for operation (5-6 digits) and password for the app (10 digits) can be found on the label inside the bottom front door. It looks like this:



5. Now you are connected and able to operate using the app.

### 3.2.2 App features

---

The app has several features to choose from: heat level, desired room temperature, and timer/week program. The timer/week program makes it possible to plan, how the stove should run during the week. [How to use the timetable in the Aduro Hybrid app.](#)

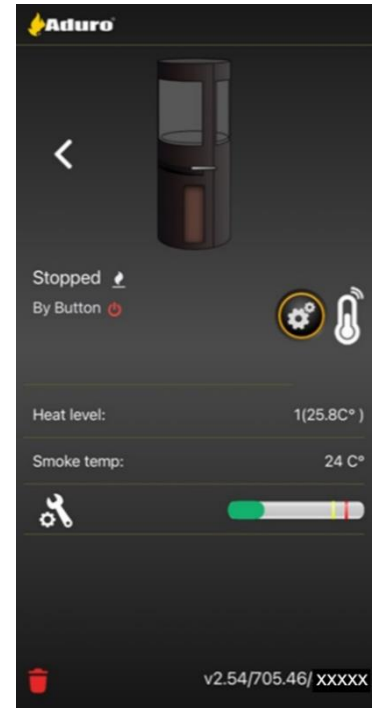
On the app's home page, you can see:

1. Power status
2. Heat level
3. Smoke temperature
4. External room temperature sensor (if connected)
5. CO level\*
6. App version, firmware version and the stove's serial number.

\*Safety measurement which measures whether there is smoke in the back of the system. A green bar is OK. If the bar reaches yellow, the hybrid stove will lower its heat level to 1. If red level is reached, the stove will turn off.

The CO sensor is located by the pellet inlet to prevent the stove from firing when the chimney draft is not sufficient. Sometimes the CO-sensor can be affected by the wood pellets. Some pellet bags have a high level of CO that can affect the sensor up to 24 hours after loading the stove with pellets. If this problem occurs, you can open the door to the pellet container and add fresh air to the room until the CO level has dropped.



From the app's home page, you can also access and adjust the stove's settings via the gear icon, switch between the stoves via the arrows (if you are connected to several Aduro hybrid stoves) or delete a stove from the app via the trash can icon.



### 3.3 Wi-fi connection

---

The hybrid stove can only be connected to a 2.4 GHz network (router). It is important to have a strong and stable Wi-Fi signal where the stove is installed, otherwise it may be difficult to connect the stove to the router and thus use the cloud solution, and an unstable connection may occur.

It is recommended to install the stove where there is a maximum Wi-Fi signal with 3 out of 3  or 4 out of 4 . Your smartphone must be connected to the local Wi-Fi network. If you experience any difficulties controlling the stove via the smartphone it can be due to the fact that the smartphone has a control system that does not meet our requirements (see section 3.2). If you can control the stove through the smartphone but can't connect the stove to the Wi-Fi router, the router is too old and/or the signal too weak. If this is the case, we recommend you buy a new router with a strong signal and a Wi-Fi amplifier that is located somewhere between the router and the stove.

If the hybrid stove can't connect while other electronic devices in the house work well with your Wi-Fi, it is due to the fact that the hybrid stove requires a stronger Wi-Fi signal than other electronic devices.

You can find a guide on connecting the stove to Wi-Fi in our [Customer Service Center](#).

### 3.4 Register your stove on Aduro Cloud

---

We recommend that you register your hybrid stove to our cloud [www.adurocloud.com](http://www.adurocloud.com) as soon as the stove is connected to your Wi-Fi router. When you register the stove on Aduro Cloud, you will gain direct access to your stove's data and settings. You can find information and statistics on combustion, temperature, pellet consumption and times of ignitions. You can also see and adjust the stove's settings and check potential alarms.

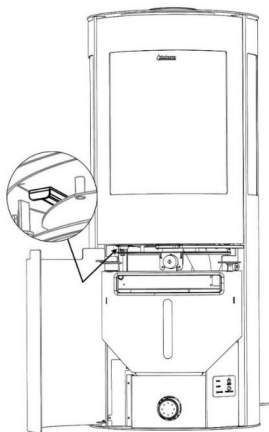
Registering your stove on Aduro Cloud is also helpful for us and the serviceman in the case you are experiencing issues with your stove – or regarding the mandatory service visits. You can find instructions for logging into the cloud in our [Customer Service Center](#).

## 4. Firing in the hybrid stove

During transportation, it may happen that the baffle plate in steel falls out of place. Therefore, before using the stove, please make sure that the baffle plate is properly placed on the hooks to achieve optimum combustion and to prevent soot on the glass.

### Important safety information

- The hybrid stove gets hot during use and therefore it should be treated with all necessary caution.
- Never keep easily combustible fluids such as petrol in the near of the hybrid stove.
- Never use easily combustible fluids to light the fire in the hybrid stove.
- Never use wood with nails and other objects that can damage the auger carrying the pellets.
- When lighting a fire and adding new wood logs, it is important to get the fire burning fast. If the fire does not start quickly and wood only smoulders, it can cause strong smoke formation and in worst case cause an explosive ignition of the flue gasses, which can damage the hybrid stove.
- The brazier must not be removed during use with either wood nor pellets (does not apply when conducting a fast cleaning under the brazier to clean out ash and cinders).
- The door should be kept closed while the stove is in use. While lighting the fire, the door can stand ajar for the first few minutes.
- The pellet operation stops if the door has been open for 3 minutes.
- When putting logs in a hot stove, you must always open the primary air intake and make sure that the wood ignites within 2-3 minutes. If the wood does not ignite, add some ignition products, and ignite them manually. Please make sure that the flames are burning steadily for the first 10 minutes before you leave the stove.
- Never empty the ash pan when the stove is warm. Embers may still be found in the ash pan for up to 24 hours after the fire has gone out. Please wait to empty the ash pan until you are sure that there are no embers in the ash.
- In the event of a chimney fire: Close all the dampers on the stove and call the fire-fighting service.



You can light the fire using just pellets or light it manually with wood – or a combination where you put firewood in the combustion chamber and use the pellets to light the fire. We recommend a combined usage, since firing with wood gives a higher temperature which burn the remains of the pellets.

If you only want to use your hybrid stove with wood, the hybrid stove has a damper (see illustration) for closing the pellet combustion manually. The pellet function does not work when this damper is closed.

The damper is necessary, as you need to close the air supply for the pellet combustion to achieve optimum combustion of wood logs.

However, if you use the hybrid stove with both wood and pellets, the damper must be open (pulled forward).

## 4.1 Firing with wood

---

The Aduro hybrid stove is intended for intermittent combustion. This means that each stoking should burn down to embers before new logs are added. Always respect the MAX-load line which marks the limit for wood. You can regulate the effect/heat output with the fuel. Burning small logs provides more powerful combustion than burning large logs. The ideal heat output is reached by burning approx. 1.5 kg wood per hour. You should never fire so strongly that the smoke temperature exceeds 350 degrees Celsius, as this can damage the gear motor on the internal auger.

If you experience problems lighting the fire or the fire dies after a short time, it can be due to the following reasons:

- The firewood is not dry enough. The firewood should have a moisture content of max. 18%.
- There is a negative pressure in the house.
- The smoke outlet from the outside may be blocked from soot. This can occur after chimney sweeping. Control the smoke outlet.
- The used amount of wood may have been too small. Therefore, the embers were too weak and cold to light the next load of wood.



**If you overfire the hybrid stove and burn more than the recommended amount of wood per hour, there is a risk that the paint on the stove will discolor and later fall off. The stove can later be repainted.**

### 4.1.1 Air damper for firing with wood

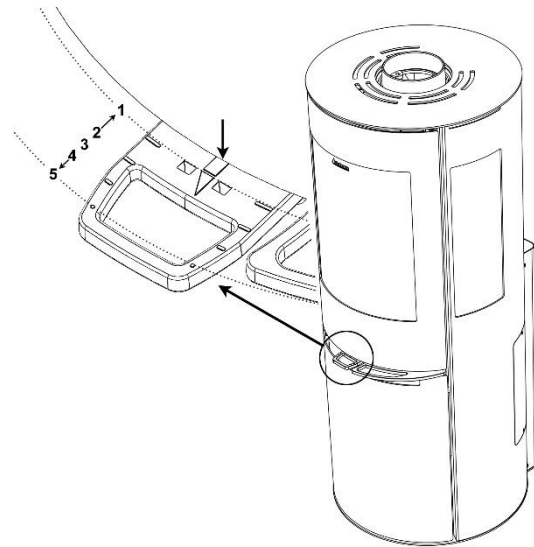
---

The stove is equipped with an air damper for regulation of the primary and secondary air supply. The primary air is used at the beginning to get the fire going, and the secondary air keeps the fire burning evenly. The tertiary air ensures that flue gasses are burned and is not adjustable. You must always add secondary and tertiary air, while firing the stove. When using the stove's pellet function, we recommend that this air damper is always pushed all the way in, as the pellets burn most optimally this way.

The damper allows you to adjust the hybrid stove according to the chimney draft and the heat output, you require. The longer the damper is pulled out, the more air is added and the more powerful the combustion.

The illustration below shows the stove seen from the front with the dampers indicated. Use the edge of the door to read the position of the air supply.

- 1: Fully open primary, secondary, and tertiary air inlet. This position can be maintained with the Aduro Key, which must be placed in the two holes (see section 4.1.2.1).
- 2: Closed primary air inlet, fully open secondary and tertiary air inlet.
- 3: Closed primary air inlet, halfway closed secondary air inlet, and fully open tertiary air inlet.
- 4: Closed primary and secondary air inlet, fully open tertiary air inlet.
- 5: Regulator pushed all the way in. All air inlet closed (only used when burning wood pellets).



#### 4.1.1.1 Primary air

---

When you add a new log, the primary damper should be opened until the fire is burning properly. In order to utilize the fuel to the fullest extent, the embers should have burnt for so long that it is necessary to open the primary damper for approx. 2 minutes to get the new log to burn.

To reduce the risk of ash falling from the stove when the door is opened to add more fuel, it is a good idea to open the primary damper for approx. 1 minute before the door is opened. This increases the draft through the stove and reduces the risk that ash will drop on the floor.

#### 4.1.1.2 Secondary air

---

In normal circumstances, the stove should be working with the secondary air supply open between 60 % and 100 % (the damper is placed between position 2 and 3. See section 3.1). You should never close the air supply so far that the flames go out. There should always be visible flames in order to achieve a clean and efficient combustion. A too low supply of air can lead to bad combustion, high emissions, and a low efficiency.

If you want to fire in the stove with the lowest possible effect – around 3 kW – you must close the secondary air almost completely approx. 45 minutes after stoking. At this point there are only few flames, and the stove can burn clean by using the tertiary air from the back of the combustion chamber.

#### 4.1.2 Aduro-tronic

---

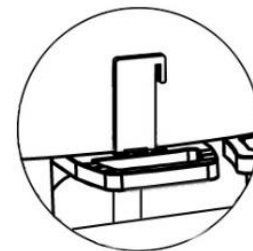
Aduro hybrid stoves are equipped with the patented Aduro-tronic automatic as a standard. Aduro-tronic is a manually operated mechanical start-up device, which works without the use of electricity. It automatically regulates the combustion air and thus secures an efficient combustion. For further information, go to [www.adurofire.com](http://www.adurofire.com).

#### 4.1.2.1 How to operate Aduro-tronic

---

##### When lighting with wood only

When lighting a fire in the hybrid stove for the first time, the maximum amount of primary air will be needed to light the fire. For that reason, the primary damper can be kept “forcibly open”. This is done by pulling the primary damper forward as far as possible and then fixing it with the Aduro Key (see illustration). When the stove is warm and a layer of embers has been created on the bottom of the combustion chamber, the Aduro-tronic can be set to the automatic position, i.e., the Aduro Key can be removed. Alternatively, you can leave the door ajar the first minutes during lighting the fire (without the key).



##### When stoking

You activate the automatic by pulling out the damper every time new firewood is added. The Aduro-tronic automatic will then close the damper gradually after the pre-programmed time.

##### Regulation of the Aduro-tronic control

The control is pre-set to close the primary air intake within 6 minutes. This setting has been used during testing at the Danish Technological Institute using a standard chimney and ‘standard’ sized logs (approx. 30 cm long, 10x10 cm thick) with maximum moisture content of 18%. In practice, such circumstances can differ, which is why the Aduro-tronic control can be adjusted to your circumstances. If you want a slower intake of primary air (e.g., for a slower flue draft, larger sized wood or for longer intervals between stoking), adjust the screw on the front of the control level using a small Allen key to slow closure rate. If the screw is turned to the right closing time is increased and if turned to the left closing time is reduced.

#### 4.1.3 The first ignition

---

The very first ignition should be done with approximately 1 kg of wood to help the paint harden. The door must be ajar during the first firing and must not be closed until the stove is cold. This is to prevent the sealing rope sticking to the stove.

The first few times the stove is used, there may be some smoke and unpleasant odours from the stove which is fairly normal. This is caused by the heat-resistant paint hardening. Make sure there is sufficient ventilation during this stage. It is also important not to let the fire burn too fiercely the first 2-3 times, so that the steel can expand slowly.

You should also be aware that the stove may make clicking sounds as it heats up and cools down – rather like pouring boiling water into a sink. These are caused by the great differences in temperature to which the materials are being exposed.

##### 4.1.3.1 Lighting the fire manually with firewood

---

The fire lighting method is very important for starting combustion quickly and efficient.

1. Pull the damper under the door fully out so that primary, secondary, and tertiary air supply is completely open.
2. Place a log of wood crosswise in the combustion chamber and put 2 firelighters close to the log. Light the firelighters and quickly put a new log close to the firelighters and several small logs at an

- angle above it. Air must be able to reach the firefighters, but the logs should be touching to “warm” each other.
3. Keep the door approx. 1 cm ajar, until the glass is too hot to touch. Then close the door. When there are distinct, visible flames and the fire has taken hold, close the primary air intake.
  4. When there are distinct, visible flames and the fire is burning well, close the primary air (see section 4.1.1.1).



**The control handle will get warm when the stove is in use. Please use the glove provided when you operate the stove.**

## 4.2 Firing with pellets

---

If you use the hybrid stove with both wood and pellets, the damper for pellet burning must be open (i.e., pulled forward). When opening the bottom door, you can see the small, black damper to the left below the combustion chamber.

If you only wish to use the hybrid stove with pellets, close the damper for wood burning to achieve optimum effect of the pellets (i.e., push the damper all the way in).

### 4.2.1 Filling of pellets

---

Place the enclosed funnel in the opening of the pellet box and add the pellets. Use a poker to spread the pellets evenly in the pellet container to make use of the entire capacity (approx. 13 kg of pellets).

#### **By the first use, the augers must be filled with pellets:**

Open the door to the combustion chamber and remove the brazier (the black cast iron cone with Aduro logo) so you can see the auger and the pellets being fed by the auger. Close the door again. Press and hold the auger button, and the augers will start transporting the pellets (only when LED lights yellow at OFF). After approx. 12 minutes where you press and hold the auger button, the auger pipe will be filled with pellets. Release the button when the pellets are about 2 cm under the top edge of the auger pipe. Then put the brazier back.

### 4.2.2 Lighting the fire with pellets

---

Before the pellet function of the stove is turned on, you should ensure that there are enough pellets underneath the brazier. You can do this by moving the brazier to the side. If there are pellets up to around 2 cm under the edge of the auger tube, there are enough pellets. You can now put the brazier back in place. Remember to check that it is placed correctly and fits tightly. Then, you can turn on the stove.

#### **Ignition via the stove's control panel**

Push the ON/OFF button and wait until the ON button displays a constant green colour. The lighting of the fire will then start automatically. During ignition the combustion chamber will be filled with smoke until the pellets are fully ignited. After approx. 6 minutes flames should appear. Normal use should be achieved after 15-20 minutes.

When the smoke temperature reaches 90 degrees, the stove will shift from the “warm up mode” to “normal mode” and continue with the last settings. You can manually switch between three heat levels without using the app by pressing the auger button on the control panel.

- Step 3 (100 % operation): LED at ON constantly lights green.
- Step 2 (50 % operation): LED at ON quickly flashes green.
- Step 1 (10 % operation): LED at ON slowly flashes green.

When you want to turn off the pellet operation, press the ON/OFF button on the stove’s control panel or press the Start/Stop button in the app.

### Ignition via the app

Press the gear icon on the app’s home page.

Choose the function you wish to fire with: Heat level, room temperature, or timetable. If timetable is selected, the stove automatically switches on according to the times you have saved in the calendar.

If you choose heat level or room temperature, you can start the stove immediately. Press “Start” to activate ignition.



### Alarm “ignition failed”

If you experience that the stove does not turn on in the first or second attempt but instead shows the alarm “ignition failed”, it is important that you do not try to turn on the stove again. Instead, wait until there is no more smoke in the combustion chamber, move the brazier to the side and remove the unburned and accumulated pellets. There should only be pellets up to approx. 2 cm under the edge of the auger pipe. Excess pellets should be removed. You can now put the brazier back in place. Remember to check if it is placed correctly. Then, you can turn on the stove again.

The alarm “ignition failed” is often caused by an insufficient chimney draft. You can increase the chimney draft by igniting some paper or small pieces of firewood in the combustion chamber - this can sometimes remove pockets of air in the chimney.

The hybrid stove can burn with pellets for up to 24 hours on a full pellet container at heat level 1, for up to 12 hours at heat level 2, and for up to 8 hours at heat level 3. The stove is capable of running day and night if pellets are added in time and the necessary cleaning is carried out.



**Never place pellets in the combustion chamber. Pellets must be supplied from the pellet container.**

## 4.3 Firing with both wood and pellets

### Cold stove

Put dry wood in the combustion chamber - just as if you wanted to start the stove manually (see section 4.1.3.1). However, you won’t need any firelighters. Next, ignite with pellets as described in section 4.2.2. It’s advantageous to start with the damper for wood burning closed, until the pellets are fully ignited in the

brazier. After this, you can open the air damper for easier lighting of the firewood. When the logs have caught fire and the smoke temperature is about 280 degrees, the pellet supply will stop automatically.

### **The stove in pellet operation**

When the stove is in pellet operation, you can always put on wood logs – just remember to close the door within 3 minutes, or the pellet supply will automatically turn off. Open the door carefully so that the pellet supply stops and the ALARM/STOP button on the stove's control panel flashes red. Put wood into the combustion chamber and close the door again. The stove will continue in pellet operation. When the logs have caught fire and the smoke temperature is about 280 degrees, the pellet supply will stop automatically, and the stove will switch to wood operation.

If you use the function "Heat Level" on the app and want the stove to restart automatically on pellets when the wood has burned out, tell the stove by pressing the Start/Stop button in the app. The stove will now be in standby mode and await a smoke temperature below 100 degrees before it starts the pellet combustion and ignites again. If you, on the other hand, use the "Room temperature" function, the pellet supply automatically starts again when the smoke temperature is below 100 degrees.

## **4.4 Recommended fuels**

### **4.4.1 Wood**

---

We recommend the use of split hardwood that has been stored outdoors under cover for at least 1 year. Wood that has been stored indoors tends to become too dry and will burn too quickly. We recommend that you fell the wood during the winter when a lot of the moisture in the wood will have been drawn down into the roots. To achieve optimum combustion, the wood's moisture level should not exceed 18%, which roughly corresponds to storing the wood outdoors under a cover for one year. The moisture level of the wood can be measured using a wood moisture meter or by applying dishwashing liquid to one end of the log and blowing air in the other end. If the wood is dry enough, soap bubbles will appear. The wood should be chopped into logs with a diameter of approx. 10 cm and a length of max. 39 cm. Firing with wet fuel will reduce the energy efficiency and increase the particle emission.

Burning varnished wood, impregnated wood, chipboard, paper, and other waste is strictly forbidden. Burning these materials will damage the environment, the hybrid stove, and your own health. Fossil fuels must not be used.

### **4.4.2 Pellets**

---

You should only use Ø6 mm pellets with a maximum length of 30 mm conforming to certified class 1 standards according to ISO 17225-2 (DIN plus or EN plus 14961-2 A1 or PEFC / 04-31-0220 or ONORM M7135). We recommend that you use wood pellets of a good quality which break easily - and bright pellets rather than dark pellets, as dark pellets can have a negative impact on the noise level, energy efficiency and cleaning intervals of the stove. The humidity must not exceed 10% of the weight, while the ash content must be lower than 1% of the weight.

It is important that the pellets are kept dry, as moist pellets can reduce the nominal heat output by up to 50%.

When the firing season is coming to an end, it is important to completely remove all pellets from the pellet container and the augers, otherwise, damage on the stove may occur, when it is put into use again.

## 5. The chimney

The stove is tested in accordance with current standards, where a smoke exhauster secures a constant chimney draft of 10-14 Pascal (Pa). However, with a natural draft (without a smoke exhauster installed) the chimney draft will increase to 18-25 Pa at optimum conditions. There are many factors that affect the chimney draft, including the outside temperature, wind strength, and surrounding buildings. There are no requirements with respect to specific chimney heights, but a chimney must be tall enough to provide a good draft. If the recommended chimney draft is not achieved, there may occur problems with smoke coming out of the door during firing.

Data for chimney calculation				
Model	Aduro H1, H2, H3 Lux & H4 Lux		Aduro H5	
Fuel	Wood	Pellets	Wood	Pellets
Flue temperature at [20°C]	273	210	329	170
Chimney draft at testing power [mbar]/[Pa]	0.13/13	0.11/11	0.12/12	0.12/12
Flue gas mass flow [g/s]	5.7	4.7	6.0	3.8

### 5.1 Inadequate draft in the chimney

If you experience poor draft in the stove after the installation, please make sure that there is nothing in the chimney to restrict the smoke and that no nearby buildings or trees affect the winds around the chimney.

If the chimney is too short, leaks, or is inadequately insulated, there may be problems with the chimney draft (let the chimney sweep assess this). The draft should be sufficient during the ignition phase when the stove/chimney is cold to provide a clean combustion and prevent smoke leakage. Therefore, we recommend a chimney draft around 5 Pa in the ignition phase.

Once the ignition is a success and the smoke temperature is rising, it is important that the chimney draft reaches a stable area around 18-25 Pa in operation (1 hour after ignition) when the chimney/stove is hot. The draft in the area of 18-25 Pa when the stove is hot is essential in order to achieve an optimum and clean combustion and avoid problems such as pellet accumulation and smoke leakage. Therefore, we recommend that you measure your chimney draft when the chimney is cold and when it is hot after 1 hour in operation.

In practice, the chimney draft will differ – especially in cold condition. Therefore, the best indication of the chimney draft is to measure the draft when it is hot. If the chimney sweep judges the draft to be sufficient, but you still have problems lighting a fire during operation with wood, try extending the fire lighting phase by using more thin pieces of kindling and 1-2 firelighters, so that the chimney gets thoroughly warm. The chimney will not draw at optimum effect until it is warm. When a layer of embers has been formed, add 2-3 dry logs.

The stove will not be able to ignite in pellet operation if there is no draft in the chimney. In this case, the stove will give an alarm.

## 5.2 Chimney and smoke

---

If you experience smoke coming out of the stove or the start section of the smoke pipe, it could be due to certain weather conditions. On stormy or cold winter days or if the chimney has not been used in a while, a cold plug can be created in the chimney, meaning the natural draft will be at its minimum.

If the chimney is cold and cold plugs are created, you may experience smoke leaks during the ignition and startup phase. In this situation there can be more smoke than usually in the combustion chamber and some of it might leak out of the stove. Therefore, if you have a cold chimney that has not been used for a while, we recommend that you use some wood sticks to heat the chimney and eliminate the cold plug before you activate the pellet supply.

## 5.3 The chimney's influence on the pellet combustion

---

The pellet combustion is affected by the draft in the chimney. Below 3 examples of pellet combustion, depending on the draft level:

### Optimum flame



### Flame generates high quantity of sparks = the chimney draft is too high



## Small flame and overflowed brazier = the chimney draft is not sufficient



Aduro hybrid stoves come with standard settings regarding e.g., the speed of the augers and the performance of the fan. To achieve the most efficient pellet combustion it may be necessary to adjust these settings to match your specific installation and your chimney draft.

You can partly compensate for a poor chimney draft by increasing the fan speed on the hybrid stove's three heat levels.

- You can adjust this in the app by pressing the gear icon on the home page:



- Now press "Adjust":



- Unlock the settings by pressing the lock icon in the top right corner:



It may also be necessary to reduce the chimney draft with a flue damper or increase the draft with a smoke exhauster, e.g. [Aduro DraftOptimizer](#).

## 6. Important alarms

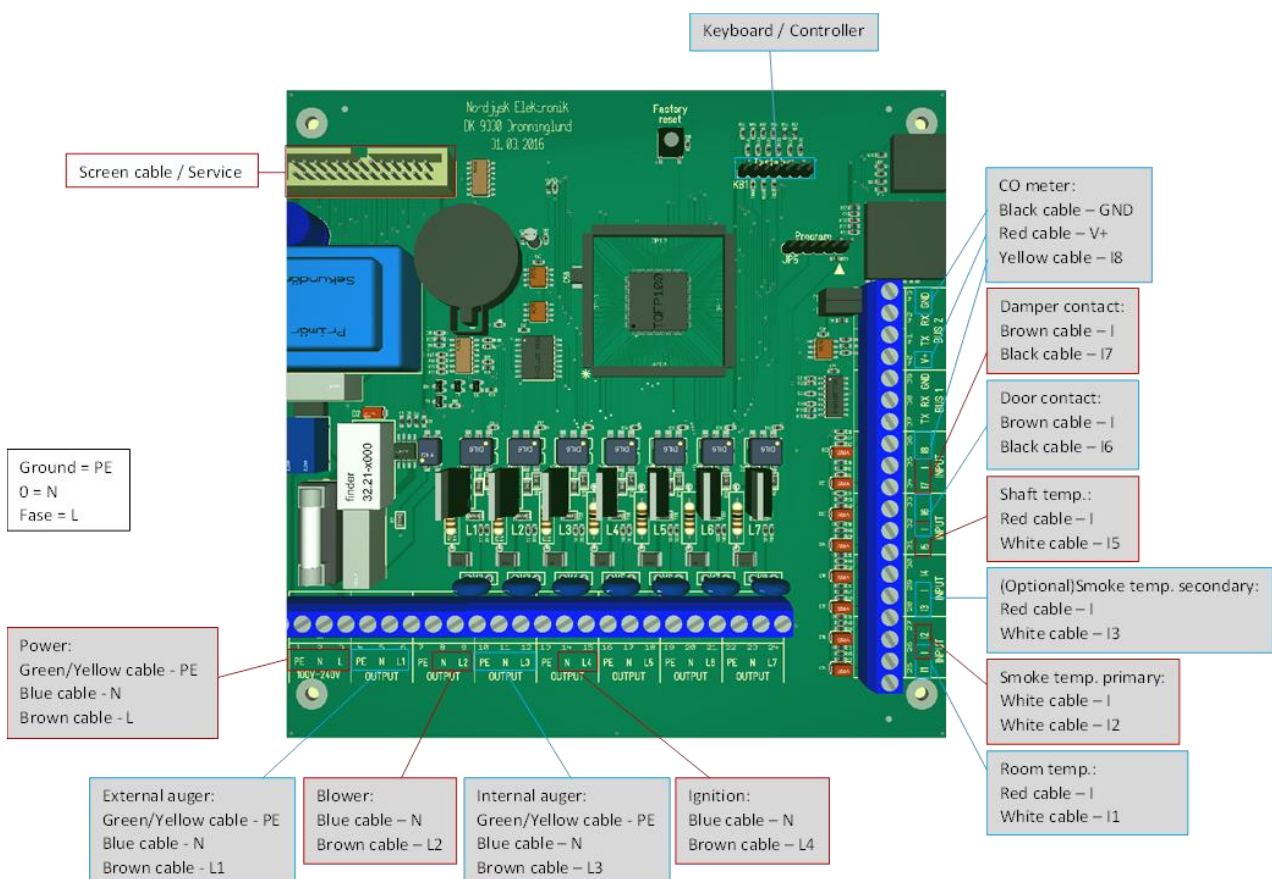
Aduro hybrid stoves have these following alarms, where the pellet supply must be stopped immediately:

- SMOKE SENSOR: The smoke sensor is defect.
- SHAFT SENSOR: The shaft sensor is defect.
- TERMO: The shaft sensor is too hot.
- DOOR CONTACT: The door is open.
- PELLETS DAMPER: The damper is closed.

- EXIT: Defect exit for external auger.
- FUEL: The smoke temperature is too low after more than 2 hours in operation and/or there is not enough fuel.
- LIGHTING: The smoke temperature has not been reached after two attempts of ignition.
- CO: The CO-level is too high.
- STOPPED: The ignition failed - open the door and check if pellets have accumulated in the brazier.

When the cause of the alarm has been rectified, the stove can be reset by holding the ON/OFF button on the stove's control panel. You can then start the stove as usual.

## 7. Control board



## 8. Cleaning and maintenance



All cleaning and maintenance of the hybrid stove (except for the quick, daily cleaning) should only be carried out when the stove is cold, and the power is disconnected.

### 8.1 Daily maintenance

---

On the days the hybrid stove is in operation, we recommend 2 quick cleanings per day while the stove is still on.

This cleaning cannot last more than 3 minutes because of the sensor in the door. We recommend that you use gloves. Open the door to the combustion chamber and use a pliers to move the brazier to the side. Scrape ash and slag, that has accumulated under the brazier, down through the grate into the ash drawer. Avoid brushing ash and slag into the auger. Then place the brazier correctly in place and close the door again.

### 8.2 Weekly cleaning

---

We recommend a more thorough cleaning every 4 days carried out on a cold stove. Vacuum thoroughly in the auger and in the combustion chamber e.g., with [Aduro Ash Cleaner](#).

### 8.3 Cleaning after approx. 500 hours of pellet operation

---

If the stove is placed in dusty surroundings, it may be necessary to clean the ventilator. Clean the brazier for ash and cinders, e.g., with a scraper. Clean the air pathway for electrical igniter for ash and cinders that might be covering the hole placed on the left side of the tube under the brazier, e.g., using a small, straight screwdriver.

For further information regarding maintenance of the stove, please go to [www.adurofire.com](http://www.adurofire.com).

### 8.4 Yearly service visit

---

The hybrid stove must be inspected within the first year by an Aduro certified professional for cleaning and adjustment. Hereafter, maintenance must be conducted every other year or for every 2,000 kg pellets burned from the date of the latest service visit. You are responsible for covering the cost of this yourself.

The chimney must be maintained and swept according to local rules.

### 8.5 Other cleaning and maintenance

---

#### Ashes

Empty the ashpan before it gets completely full. When igniting with wood, you can leave a layer of ashes in the combustion chamber, because it insulates and makes it easier to light a fire.

Remove the brazier and clean the top auger for ashes with a vacuum cleaner. This is done easiest by making a "paper ring" of paper roll, which is laid around the opening of the auger. Then, press the vacuum

cleaner muzzle down towards the "paper ring" so it fits tightly. After this, the ashes can be vacuumed up.

### **Glass**

Burning of wet wood, insufficient chimney draft and wrong use of the hybrid stove can result in soot stains on the glass. They can easily be removed using a damp cloth that you dip in cold ash and rub on the sooty glass. Special cleaning agents are also available to remove soot from the glass, e.g. the Aduro Easy Clean pad. The pad neither scratches nor damages the glass, and it can be used multiple times. Water or other cleaning agents are not necessary.

It is common maintenance to tighten the glass fittings and the hinges shortly after the stove has been installed.

### **Pellet container**

Burn all pellets and brush the container clean.

### **Adjusting the door**

Adjusting the door and the closing mechanism is a necessary part of the maintenance of the stove, which you can easily do yourself. If the door hangs on one side, feels sluggish to close or does not close properly, you should adjust and tighten the hinges and fittings around the door.

### **Gaskets**

Over time, the gaskets wear out and should therefore be checked regularly. If they are leaky, they should be replaced, as it is essential that the stove is tight. In addition, check regularly that the gaskets stay in place so that no smoke escapes from the stove.

### **Combustion chamber**

The fireproof tiles in the combustion chamber eventually wear out and should be replaced when the cracks are more than 0.5 cm wide. The durability of the tiles depends on how often and how intensively the stove is used. You can change the tiles yourself. They are available as a ready-to-use set. You can buy the sets at [www.aduroshop.com](http://www.aduroshop.com).

### **Bauart safety spring**

All Aduro hybrid stoves are fitted with a "Bauart" safety spring. The mechanism ensures that the door of the stove closes automatically. The "Bauart" spring is a law requirement in some European markets, so please check your local regulations if you wish to permanently remove this feature.

If you wish to remove the spring, here is how to do it:

- Use a pair of pliers to pry the upper hook of the Bauart spring out of the hole in the stove's door. [Watch this video](#).
- Please note that the spring is in tension when the door opens, so make sure to protect yourself during removal. We recommend that you use protective gloves.
- For optimum combustion, we recommend that you close the hole in the stove with a self-tapping screw, sealing compound, or ceramic glue.

### Cleaning of the surface

The stove's surface will stay at its best just by being vacuumed with a small, soft mouthpiece or dusted with a soft, dry cloth. Do not use spirit or other solvents, as they will remove the paint.



Do **not** clean the stove with water. If the stove is exposed to moisture, the stove may develop rust.

### Cleaning of the stove's inside and flue pipe

The inside of the stove and the flue pipe can be cleaned through the door or alternatively through the cleaning aperture in the flue pipe/chimney. The upper fireproof tile (the baffle plate) can be removed. To allow free access to the top of the stove and the flue pipe, remove the baffle plate in steel. The flue pipe can be removed from the stove and cleaned. Cleaning of the inside of the stove and the flue pipe should be undertaken at least once a year, or more frequently if necessary, depending on how often the stove is used. This work can also be carried out by the chimney sweep or your local Aduro GO partner.

### Repairing the surface

Aduro hybrid stoves are painted with a heat resistant paint that can withstand temperatures up to 500 degrees. If the surface of the stove gets scratched or worn, it can easily be renewed using this type of paint. The paint is available in black metallic at [aduroshop.com](http://aduroshop.com).

### Spare parts and unauthorized alterations

You may only use original spare parts for your stove. All forms of unauthorized alterations to the stove are strictly forbidden, as the stove will no longer comply with the approved specifications. At [www.aduroshop.com](http://www.aduroshop.com) you can buy original spare parts for your stove.

## 9. Accessories

For Aduro hybrid stoves we offer a wide range of accessories to fulfil the experience such as companion sets, firewood baskets, fireplace grid, floor hearths, flue pipes, and cleaning products. For further information, go to [www.adurofire.com/accessories/](http://www.adurofire.com/accessories/).

## 10. Right of complaint

The right to complain applies in accordance with the sales act in the country where the stove was purchased. The dated receipt will be sufficient proof.

All pellet stoves may require adjustment of the combustion air and the speed of the augers in order to optimize the function and to reach an effective and clean combustion. Aduro and our service partners can

monitor and adjust your hybrid stove on Aduro Cloud. However, this is only possible if the stove is connected to the cloud via Wi-Fi. This happens as you set up the Aduro Hybrid app.

If you have difficulties getting the stove online, it can be because of your local Wi-Fi network, your router or how your smartphone is set up. You find guidance on connecting to Wi-Fi in our [Customer Service Center](#).

It is required that your stove is online in the case you want to make a claim about combustion or function, but it is not Aduro's responsibility to secure connection. You can purchase a service visit from one of our service partners to get the stove online.

The right of complaint does not cover:

- Damages resulting from incorrect installation and use of the stove, overheating and wrong or missing maintenance of the stove (including the mandatory service visits) etc.
- Consumable service parts (glass, gaskets, firebricks, slides, painted surfaces, electrical igniter, sensors/switches, brazier in cast-iron, cast-iron grate), which are subject to normal wear and tear. You can buy these parts at [aduroshop.com](http://aduroshop.com).
- Damages caused by electrical surcharge, (condensation) water in and around the chimney, too much or too little draft in the chimney and missing maintenance/cleaning of the chimney/flue pipe/installation.
- Damages to the stove caused by external influences or damages caused by the stove on other objects.

Read more at [www.adurofire.com/warranty/](http://www.adurofire.com/warranty/)

## 11. Disposal of your Aduro stove

When disposing your hybrid stove, metal, vermiculite, and ceramic glass must be sorted separately. Dispose hereafter the materials according to the regulations at your nearest recycling depot.

## Lycka till med din nya hybridkamin från Aduro!

För att få ut den mesta glädjen och nyttan av din nya hybridkamin är det viktigt att du läser igenom bruksanvisningen noggrant innan kaminen installeras och tas i bruk. Fel eller felaktiga inställningar kan orsaka farliga förhållanden och/eller dålig drift.

Behöver du ytterligare information, kan du läsa mer på [www.adurofire.se](http://www.adurofire.se).

### Produktionsnummer

På hybridkaminen anges ett produktionsnummer längst ner på typsytan på baksidan av kaminen. Produktionsnumret finns dessutom stämplat på framsidan av snabbguiden som följer med kaminen. Av hänsyn till garantin och andra frågor, är det viktigt att du kan ange detta nummer.

#### SÅ LYCKAS DU MED DIN NYA HYBRIDKAMIN

I [Aduros kundtjänstportal](#) kan du hitta tips och tricks för att lyckas med din nya Aduro hybridkamin. Här hittar du nyttig information om underhåll av din hybridkamin, du får svar på tekniska frågor och du får en rad goda eldningsråd.



## 1. Allmänt

### 1.1 Certifieringar

Alla Aduro hybridkaminer uppfyller det europeiska direktivet Ecodesign, de europeiska standarden EN13240 och EN14785 samt den norska standarden NS3058 och är därmed godkänd för montering och användning i Europa. Produktionen genomgår dessutom extern kvalitetskontroll. DoC (Declaration of Conformity) går att ladda ner på <https://www.adurofire.se/download/>.

Alla Aduro hybridkaminer uppfyller även följande direktiv: EMC DIRECTIVE 2014 30 EU, LVD DIRECTIVE 2014 35 EU, 2006 42 Maskindirektiv. Wi-Fi-modulen är godkänd i enlighet med CMIIT ID: 2016DP3252.

### 1.2 Varningar och försiktighetsåtgärder

- Luckan till pelletsbehållaren ska alltid vara stängd när hybridkaminen är i drift, både med pellets och ved.
- När kaminen används med ved i perioder utan ström (t.ex. vid strömavbrott) ska den övervakas kontinuerligt i och med att säkerhetssensorerna inte är aktiva.
- Hybridkaminen ska stå torrt och får inte utsättas för fukt.
- Avbryt strömmen till kaminen och vänta tills den är kall innan du utför underhållsarbete (med undantag för snabb rengöring av brännkoppen).
- Felaktig användning eller brist på underhåll av produkten kan orsaka farliga situationer.

# EU Declaration of Conformity Aduro H1, H2, H3 Lux, H4 Lux



## EU Declaration of Conformity

(In accordance with EU Directive 2015/1185, dated April 24<sup>th</sup> 2015 of the European Parliament and of the Council 2009/125/WE with regard to Ecodesign for solid fuel local space heaters)

Aduro AS, Beringvej 17, DK-8361 Hasselager, Denmark. [www.aduro.dk](http://www.aduro.dk), [info@aduro.dk](mailto:info@aduro.dk)

<b>Model: Aduro H1 / H2 / H3/ H4 series</b>	
<b>Institute</b>	Teknologisk Institut, Kongsvang 29, DK-8000 Aarhus
<b>Notified body number</b>	1235
<b>The object of the declaration described above is in conformity with:</b>	
<b>The relevant EU harmonization legislation:</b>	<b>The relevant EU harmonized standards:</b>
ERP 2009/125/CE Ecodesign	CEN/TS 15883:2010, EN13240:2001, En13240/A2:2004/AC:2007, prEN 16510-1 (2013 ed), EN16510-1:2018, EN14785:2006, EN 60335-2-102:2006, EN 60335-2-102:2016, EN 60335-1:2020, EN 60335-1:2002 + A1:2004 + A11:2004 + A12:2006 + A2:2006, EN 50366:2003 + A1:2006, EN 55014-1:2006-12 + A1:2009-05 + A2: 201109, EN 55014-1:2017, EN 55014-2: 1997-02 + A1:2001-12 + A2: 2008-10, EN 55014-2:2015, EN 61000-3-2: 2006-04 + A1: 2009-07 + A2: 2009-07, EN 61000-3-2:2019, EN 62233:2008, EN 50581:2012, IEC 63000:2018
REG (EU) 305/2011	
REG (EU) 2017/1369	
(EU) 2015/1186 (EL)	
(EU) 2015/1185 (ED)	
LVD Directive 2014/35/EU, 2006/14, 2014/53/EU	
RoHS 2011/65/EU	
EMC Directive 2014/30/EU	

<b>Harmonized technical specification</b>	<b>EN 14785:2006</b>	<b>EN 13240:2001/ A2:2004/AC:2007</b>
Test report	300-ELAB-2309-EN/PE	300-ELAB-2250-EN/NS
Indirect heat output	No	No
Direct heat output	6,8 kW	7 kW
Energy efficiency index	122,3	108,5
Fuel:	Pellets Ø6 mm, max length 30 mm. Pellets in ENplus A1 quality.	Wood logs, moisture <20%

<b>Characteristics when operating the preferred fuel</b>			
<b>Emission regarding seasonal space heating for recommended fuel:</b>	<b>Nominal heat output</b>	<b>Minimum heat output</b>	<b>Nominal heat output</b>
Heat output	6,8 kW	3,4 kW	7,0 kW
CO mg/Nm <sup>3</sup>	< 250	< 250	<1250
OGC mg/Nm <sup>3</sup>	< 35	< 35	<120
NOx mg/Nm <sup>3</sup>	< 160	< 160	<160
Solid particles mg/Nm <sup>3</sup>	< 20	< 20	<30
Energy efficiency Pellets/ wood logs	> 87%	> 87%	>81%

Power consumption:	0,033 kW	0,018 kW
Power consumption Standby mode:	0,002 kW	

<b>Type of output/ room temperature control</b>	
Electronic room temperature control plus week timer	yes

The stove must be installed in a suitable and physically possible position. You need to be sure that the position complies with local regulations and distance requirements mentioned in the manual.

Signed for and on behalf of the manufacturer by:

Christian Skovbo, CEO, Aduro AS  
Hasselager, 24.04.2023

# EU Declaration of Conformity Aduro H5



## EU Declaration of Conformity

(In accordance with EU Directive 2015/1185, dated April 24<sup>th</sup> 2015 of the European Parliament and of the Council 2009/125/WE with regard to Ecodesign for solid fuel local space heaters)

Aduro AS, Beringvej 17, DK-8361 Hasselager, Denmark. [www.aduro.dk](http://www.aduro.dk), [info@aduro.dk](mailto:info@aduro.dk)

<b>Model:</b> Aduro H5	
<b>Institute</b>	Teknologisk Institut, Kongsvang 29, DK-8000 Aarhus
<b>Notified body number</b>	1235
<b>The object of the declaration described above is in conformity with:</b>	
<b>The relevant EU harmonization legislation:</b>	<b>The relevant EU harmonized standards:</b>
ERP 2009/125/CE Ecodesign	CEN/TS 15883:2010, EN13240:2001, En13240/A2:2004/AC:2007, prEN 16510-1 (2013 ed), EN16510-1:2018, EN14785:2006, EN 60335-2-102:2006, EN 60335-2-102:2016, EN 60335-1:2020, EN 60335-1:2002 + A1:2004 + A11:2004 + A12:2006 + A2:2006, EN 50366:2003 + A1:2006, EN 55014-1:2006-12 + A1:2009-05 + A2: 201109, EN 55014-1:2017, EN 55014-2: 1997-02 + A1:2001-12 + A2: 2008-10, EN 55014-2:2015, EN 61000-3-2: 2006-04 + A1: 2009-07 + A2: 2009-07, EN 61000-3-2:2019, EN 62233:2008, EN 50581:2012, IEC 63000:2018
REG (EU) 305/2011	
REG (EU) 2017/1369	
(EU) 2015/1186 (EL)	
(EU) 2015/1185 (ED)	
LVD Directive 2014/35/EU, 2006/14, 2014/53/EU	
RoHS 2011/65/EU	
EMC Directive 2014/30/EU	

Harmonized technical specification	EN 14785:2006	EN 13240:2001/ A2:2004/AC:2007
Test report	300-ELAB-2388-EN/PE	300-ELAB-2388-EN/NS
Indirect heat output	no	no
Direct heat output	6,8 kW	7,0 kW
Energy efficiency index	128,1	114,3
Fuel:	Pellets Ø6 mm, max length 30 mm. Pellets in ENplus A1 quality.	Wood logs, moisture <20%

Characteristics when operating the preferred fuel			
Emission regarding seasonal space heating for recommended fuel:	Nominal heat output	Minimum heat output	Nominal heat output
Heat output	6,8 kW	3,4 kW	7,0 kW
CO mg/Nm <sup>3</sup>	< 250	< 250	<1250
OGC mg/Nm <sup>3</sup>	< 35	< 35	<120
NOx mg/Nm <sup>3</sup>	< 160	< 160	<160
Solid particles mg/Nm <sup>3</sup>	< 20	< 20	<30
Energy efficiency Pellets/ wood logs	> 87%	> 87%	>83%

Power consumption:	0,033 kW	0,018 kW
Power consumption Standby mode:	0,002 kW	

<b>Type of output/ room temperature control</b>	
Electronic room temperature control plus week timer	yes

The stove must be installed in a suitable and physically possible position. You need to be sure that the position complies with local regulations and distance requirements mentioned in the manual.

Signed for and on behalf of the manufacturer by:

Christian Skovbo, CEO, Aduro AS  
Hasselager, 20.03.2023